

# SANDEN SD5S

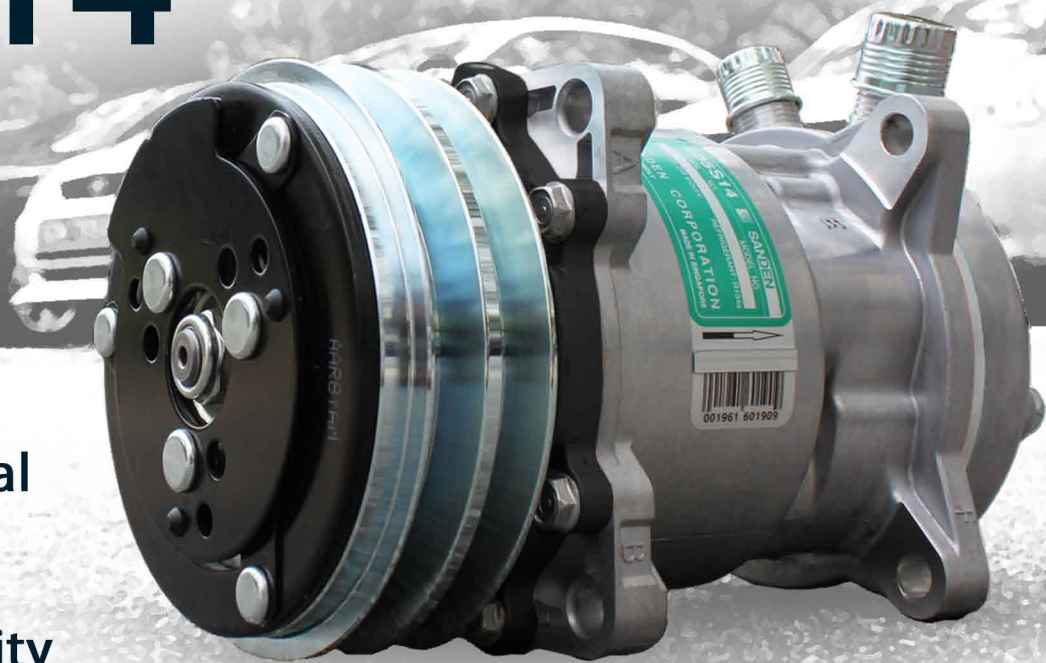
newest addition to the SD family



**SANDEN**

Delivering Excellence

# SD5S14



- Ideal for Universal Application
- Reputed Durability & Performance
- Environmental Friendly 
- Oil Amount 135cc

Sanden is proud to introduce the latest addition to the SD5 & SD7 Compressor Family, SD5S. This new compressor features lean design catered towards optimizing weight and material, with no compromise on performance or durability.

The new SD5S14 Compressor features environmental friendly parts, with majority of the parts made from Aluminium (recyclable), and all parts are Heavy Metal Free (HMF). Styrofoam packaging material has been replaced with paper cushion design, using environment friendly material.

New Ear Mount Design



New Embossed logo



Paper Cushion Packaging



With extensive research and stringent test criteria, the quality and performance are validated to ensure only quality goods are delivered. The new SD5S14 Compressor provides optimum level of cooling performance and unsurpassed field durability.

# SD5S Specification Table

## SD5S14

Compressor Displacement: 138cc/rev

Maximum Allowable R.P.M: 7000

Maximum Continuous R.P.M: 6000

**INFO**

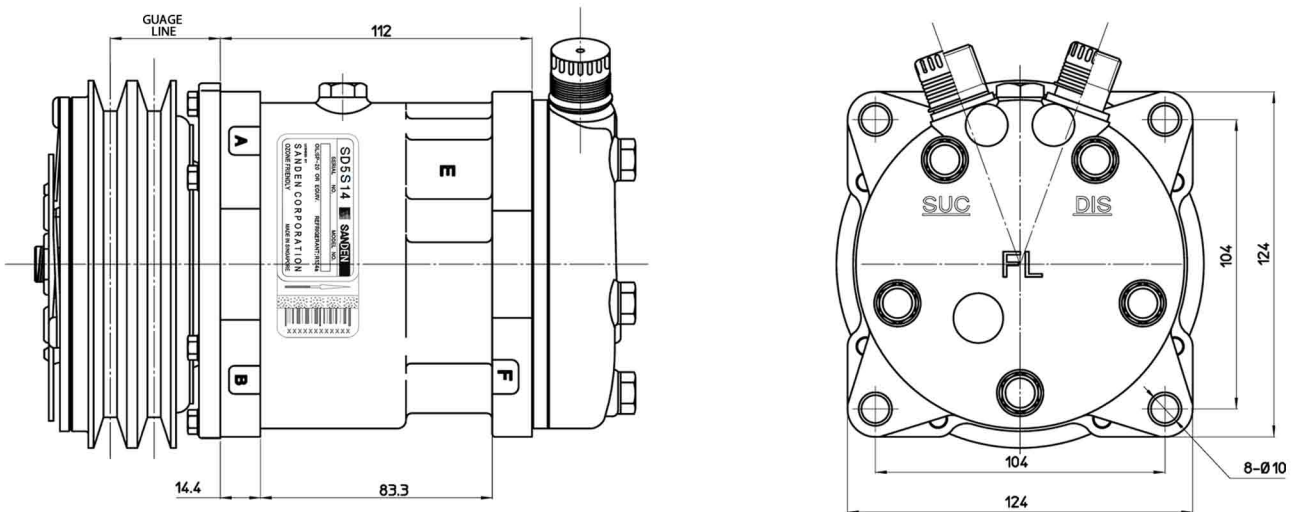
SD508 equivalent. In terms of,  
 • Physical Dimensions  
 • Compressor Displacement

VOLTAGE	CLUTCH				CYLINDER HEAD	MOUNTING	OIL		COMPRESSOR MODEL
	GROOVE	DIAMETER	GAUGE LINE	TERMINAL			TYPE	CC	
DC12	A2	132	39.55	AMP60793-1	BC	EAR	SP20	135	<b>6620</b>
DC12	A2	132	39.55	AMP60793-1	FL	EAR	SP20	135	<b>6626</b>
DC12	PV7	119	46.55	AMP60793-1	FL	EAR	SP20	135	<b>6629</b>
DC24	A2	132	39.55	AMP60793-1	BC	EAR	SP20	135	<b>6622</b>
DC24	A2	132	39.55	AMP60793-1	FL	EAR	SP20	135	<b>6627</b>

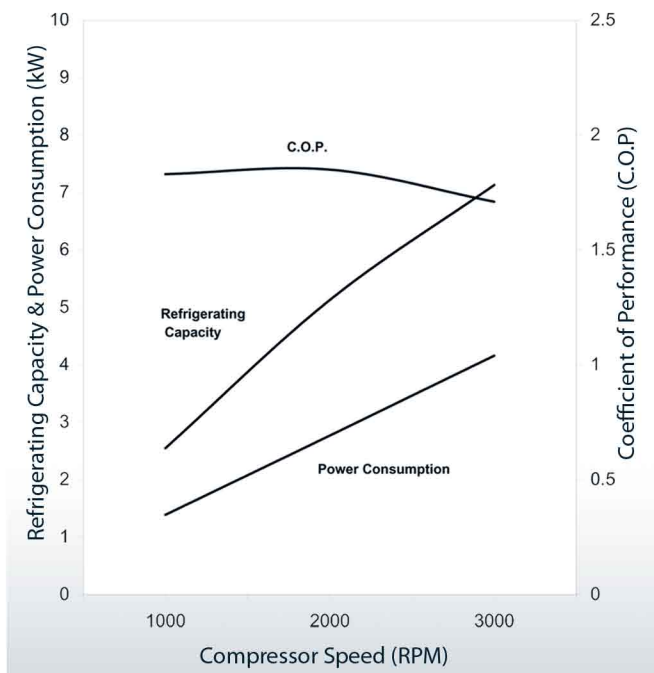
Please contact us if the models you are enquiring are not listed above.

(Sanden's contact details can be found at the back of the brochure.)

## SD5S14 Standard Drawing



## SD5S14 Performance Chart



### TESTING CONDITIONS

Discharge Pressure : 1.67 MPaG

Suction Pressure : 196 kPaG

Sub Cool Temp : 0 K

Super Heat Temp : 10 K

# SD5S14 Accessories

## Cylinder Head for SD5S



FITTINGS				BOLT LENGTH	STAMP	BODY CHARGE VALVE	CHARGE VALVE
ORIENTATION	TYPE	SUCTION	DISCHARGE				
VERTICAL	FLARE	7/8-14UNF	3/4-16UNF	40	E	•	
VERTICAL	FLARE	7/8-14UNF	3/4-16UNF	48	B		•
VERTICAL	FLARE	7/8-14UNF	3/4-16UNF	48	BC		
VERTICAL	PAD (U) TYPE	M10XP1.25 (1)		48	UB		
VERTICAL	PAD (U) TYPE	M10XP1.25 (1)		65	RD		
VERTICAL	PAD (UG) TYPE	M8XP1.25 (2)		40	ZC		
VERTICAL	ROTA-LOCK	1-14UNS	1-14UNS	40	C		
VERTICAL	TUBE-O-RING	7/8-14UNF	3/4-16UNF	48	FG		•
VERTICAL	TUBE-O-RING	7/8-14UNF	3/4-16UNF	48	FL		
VERTICAL	TUBE-O-RING	7/8-14UNF	3/4-16UNF	48	FN	•	
HORIZONTAL	ROTA-LOCK	1-14UNS	1-14UNS	40	M		
HORIZONTAL	TUBE-O-RING	7/8-14UNF	3/4-16UNF	40	K		
HORIZONTAL	TUBE-O-RING	7/8-14UNF	3/4-16UNF	65	KB		

## Clutch Assembly for SD5S



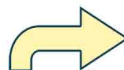
VOLTAGE	GROOVE	DIAMETER	GAUGE LINE	TERMINAL	MODEL
DC12	A2	132	39.55	AMP60793-1	EC-132A21AMA
DC12	B1	152	33.85	AMP60793-1	EC-152B11FD
DC12	PV4	119	46.55	AMP60793-1	EC-119PV41TA
DC12	PV6	119	46.55	AMP60793-1	EC-119PV61AUA
DC12	PV7	119	46.55	AMP60793-1	EC-119PV71KA
DC12	PV8	119	46.55	AMP60793-1	EC-119PV81TC
DC12	PV10	125	50.79	AMP60793-1	EC-125PV101FB
DC24	A2	132	39.55	AMP60793-1	EC-132A22AMB
DC24	B1	146	33.85	AMP60793-1	EC-146B12ED
DC24	B1	152	33.85	CP3.96MA	EC-152B12FA
DC24	B1M1	138	39.55	AMP60793-1	EC-138BM22AA
DC24	C1	158	39.55	AMP60793-1	EC-158C12LD
DC24	PV7	119	46.55	AMP60793-1	EC-119PV72KB
DC24	PV8	119	46.55	AMP60793-1	EC-119PV82AEB
DC24	PV10	125	50.79	AMP60793-1	EC-125PV102FA

## Genuine SD Compressor Verification

Apart from the New Compressor Label on our SD5H & SD5S family, Sanden has developed a "Product Authentication" web service to enable the public to confirm the authenticity of SD5 & SD7 compressors, manufactured by Sanden Singapore.

### WEBSITE AUTHENTICATION

- \* Log in to [www.sanden.com.sg](http://www.sanden.com.sg)
- \* Information required
  - Serial No. • Model No. • Barcode No.



**Step 1.** Click on the "Genuine Sanden" Logo or "read more" under Sanden Product Authentication.

**Step 2.** Fill in the details required.



**Step 3.** Upon submission, the system will validate and notify whether your compressor is genuine or not. An email will be sent to your mailbox for your reference.

# SD5S14 Lip Seal Removal Procedure

1. Remove the Clutch Assembly according to Repair Procedures found in the Sanden SD-5 Service Manual, under Clutch Service.

2. Remove the shaft key by lightly tapping it loose with a flat-head screwdriver and hammer.



3. Pull out the shim using shim removal tool.

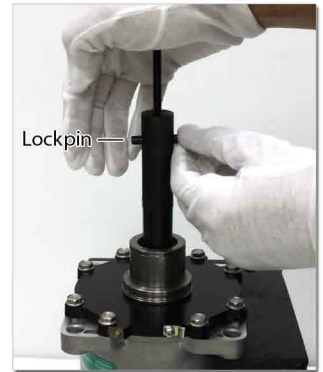


4. Remove the seal snap ring using internal snap ring pliers.



5. Remove the lip seal using the lip seal removal tool, as follows:

5.1 Place the tool over the shaft, and, while pulling the lockpin up, press the tip of the tool into the seal by pushing downward on the handle.



5.2 Push the lockpin down to the bottom of its slot and rotate the handle clockwise until the seal is pushed loose from its seat and can be pulled out.



## SD5S Compressor Service Tools



1. Armature Remover  
2. Filler Gauge Set  
3. Snap Ring & Lip Seal Installer

4. **NEW** Lip Seal Extractor  
5. Rotor Remover  
6. Front Plate Holders

7. Shaft Seal Protector  
8. Armature Press-Fit Jig  
9. Rotor Press-Fit Jig

10. Scraper  
11. Internal Flat Ring Pliers  
12. External Flat Ring Pliers

13. Pliers  
14. 0-230kg-cm torque wrench  
15. 0-460kg-cm torque wrench

16. Cross Screwdriver Torque Wrench  
17. Ratchet Wrench  
18. Shim Removal Tool

# SANDEN HEAD OFFICE

## Sanden Corporation

1-31-7, Taito, Taito-ku, Tokyo, Japan 110-8555

Tel: +81-33-833-1211 Fax: +81-33-822-7096

<http://www.sanden.co.jp>

---

## Major International Offices

---

### **Sanden International (Singapore) Pte. Ltd.**

Sanden House, 25, Ang Mo Kio Street 65,  
Singapore 569062

Tel: +65-63113-113

Fax: +65-64825-039

<http://www.sanden.com.sg>

### **Sanden International (U.S.A.) Inc.**

601 South Sanden Boulevard,  
Wylie, Texas 75098-4999, U.S.A.

Tel: +1-972-442-8400

Fax: +1-972-442-8700

<http://www.sanden.com>

### **Sanden of Europe GmbH**

Am Taubenbaum 35-37,  
61231 Bad Nauheim, Germany

Tel: +49-6032-80300

Fax: +49-6032-8030200

<http://www.sanden-europe.com>

### **Sanden International (Australia) Pty. Ltd.**

Unit6/17 Willfox Street, Condell Park,  
N.S.W. 2200, Australia

Tel: +61-2-9791-0999

Fax: +61-2-9791-9029

---

## Sanden Authorised Dealer

---



**SANDEN**

Delivering Excellence