



**SANDEN**

Delivering Excellence

# SD5S11

Sanden is proud to introduce the latest addition to the SD5 & SD7 Compressor Family, SD5S. This new compressor features lean design catered towards optimizing weight and material, with no compromise on performance or durability.

The new SD5S11 Compressor features environmental friendly parts, with majority of the parts made from Aluminium (recyclable), and all parts are Heavy Metal Free (HMF). Styrofoam packaging material has been replaced with paper cushion design, using environment friendly material.

With extensive research and stringent test criteria, the quality and performance are validated to ensure only quality goods are delivered. The new SD5S11 Compressor provides optimum level of cooling performance and unsurpassed field durability.

- Ideal for Universal Application
- Reputed Durability & Performance
- Environmental Friendly 
- Oil Amount 135cc

Paper Cushion Packaging



New Ear Mount Design



New Embossed logo



# SD5S11 Specification Table

## SD5S11

Compressor Displacement: 108cc/rev

Maximum Allowable R.P.M: 7000

Maximum Continuous R.P.M: 6000

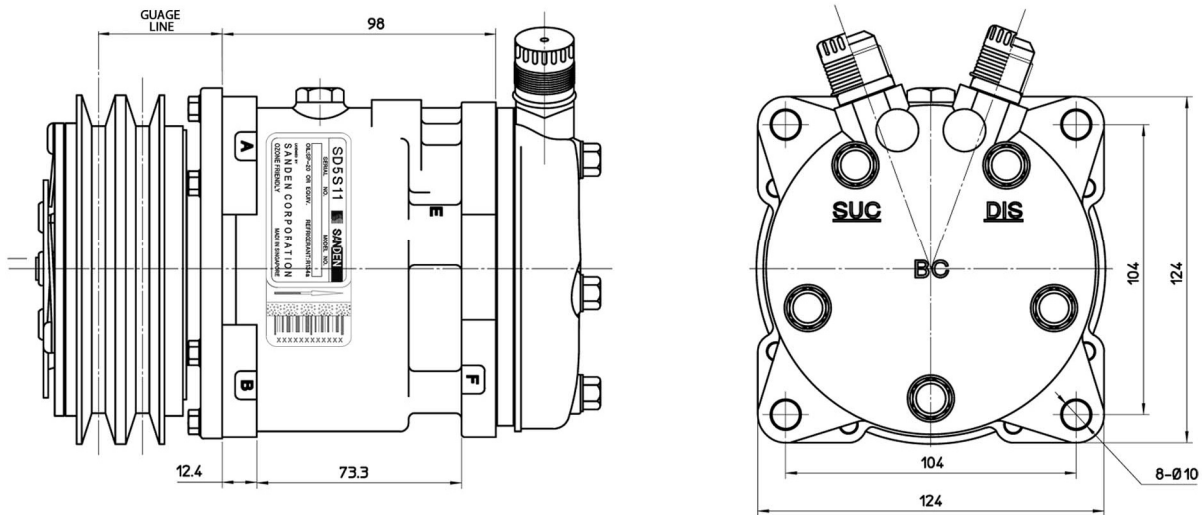
**INFO**

SD507 equivalent. In terms of,  
 • Physical Dimensions  
 • Compressor Displacement

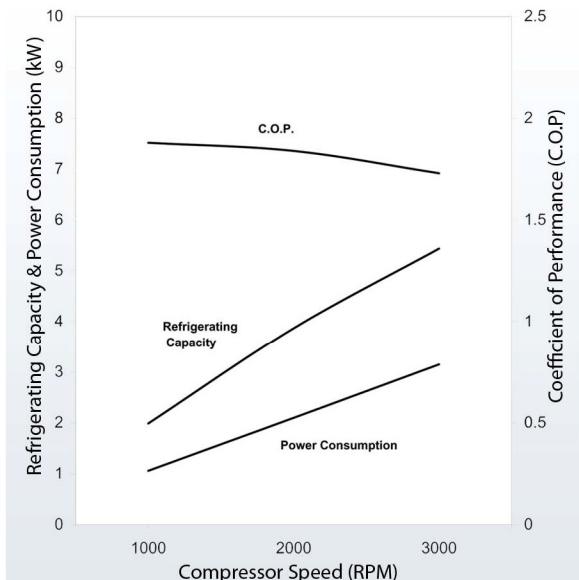
VOLTAGE	CLUTCH				CYLINDER HEAD	MOUNTING	OIL		COMPRESSOR MODEL
	GROOVE	DIAMETER	GAUGE LINE	TERMINAL			TYPE	CC	
DC12	A2	125	44.25	AMP-60793-1	BC	EAR	SP20	135	<b>6320</b>
DC12	A2	125	44.25	CF250MEC	FL	EAR	SP20	135	<b>6321</b>
DC12	A2	125	44.25	AMP-60793-1	FL	EAR	SP20	135	<b>6333</b>
DC12	PV6	119	46.55	AMP-60793-1	K	EAR	SP20	135	<b>6322</b>
DC12	PV6	119	46.55	AMP-60793-1	FL	EAR	SP20	135	<b>6323</b>
DC12	PV8	119	46.55	AMP-60793-1	FL	EAR	SP20	135	<b>6328</b>
DC12	PV8	119	46.55	AMP-60793-1	K	EAR	SP20	135	<b>6358</b>
DC24	A2	125	44.25	AMP-60793-1	K	EAR	SP20	135	<b>6356</b>
DC24	A2	125	44.25	AMP-60793-1	FL	EAR	SP20	135	<b>6357</b>
DC24	PV8	119	46.55	AMP-60793-1	FL	EAR	SP20	135	<b>6327</b>

Please contact us if the models you are enquiring are not listed above.

## SD5S11 Standard Drawing



## SD5S11 Performance Chart



**TESTING CONDITIONS**

Discharge Pressure : 1.67 MPaG

Suction Pressure : 196 kPaG

Sub Cool Temp : 0 K

Super Heat Temp. : 10 K

